



中空旋轉平台

ROTATING PLATFORMS

YZJ_NHR85

產品特性

- 工作物可直接鎖固
旋轉盤面可直接鎖固工作物，提升工作裝載之方便性。
- 配線方便
此旋轉平台為中空設計，無論是配線或配管均方便。
- 高精度
定位精準度小於一分，重複精準度可達±5。
- 運轉動作平穩
盤面轉動平穩、順暢，且定位快速。
- 適用各種馬達
中空旋轉平台可採用各種廠牌之伺服馬達或步進馬達。

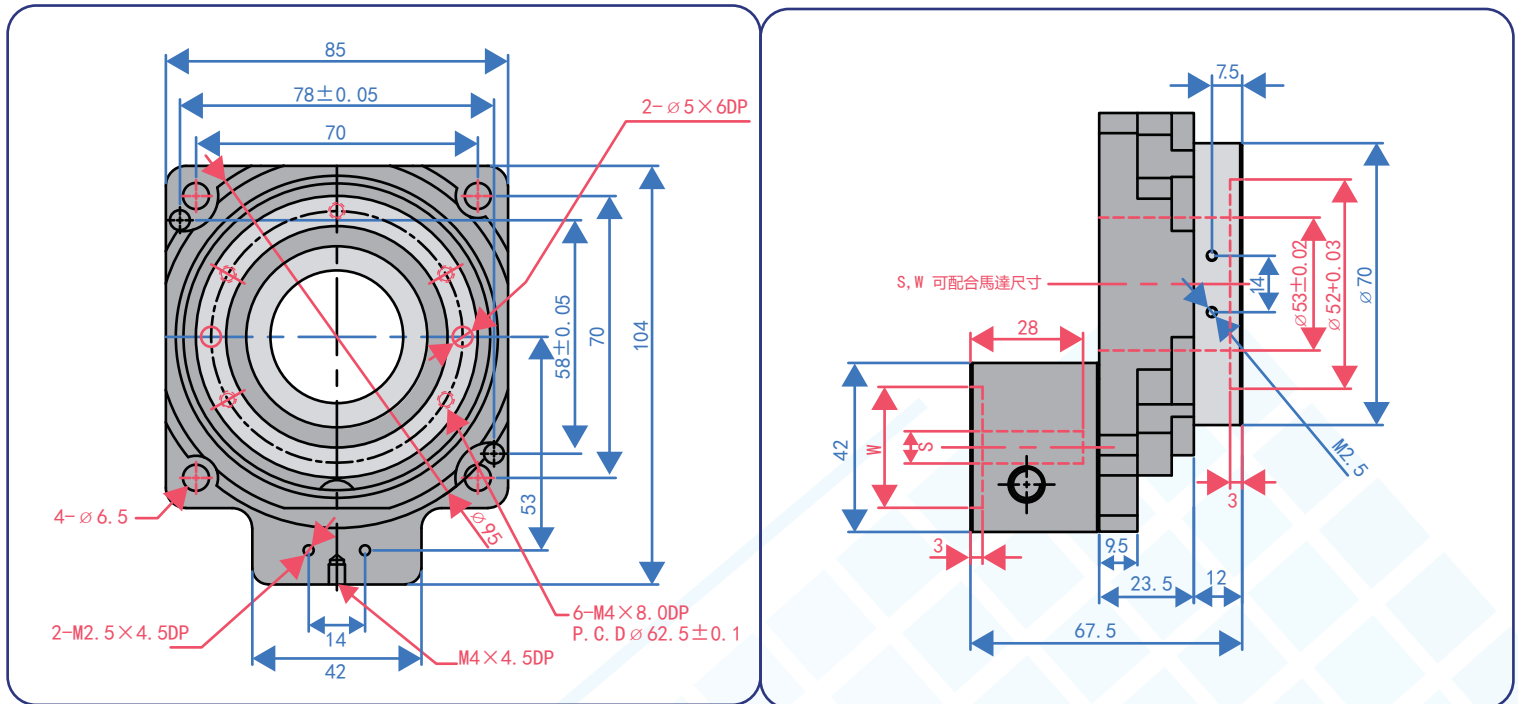
Product Feature

- Direct mounting of workpiece
The rotating table allows for direct mounting of workpiece for Added convenience in workpiece loading.
- Convenient wiring
The rotating table is a hollow structure design, making it convenient for electric wiring or piping work.
- High accuracy
Positioning accuracy is less than 1 min.
- Stable rotating motion
The table rotation is stable and smooth as well as fast in positioning.
- Suitable for various motors
The rotating table can be driven by various brands of servo motors or stepping mortors.



YZJ_NHR85尺寸圖

UNIT:mm



- S,W 馬達配合尺寸
- S,W Size may according to motor flange chosen.
- 特殊規格歡迎來電洽詢訂製
- Please contact us of inquiries regarding other Specifications.